

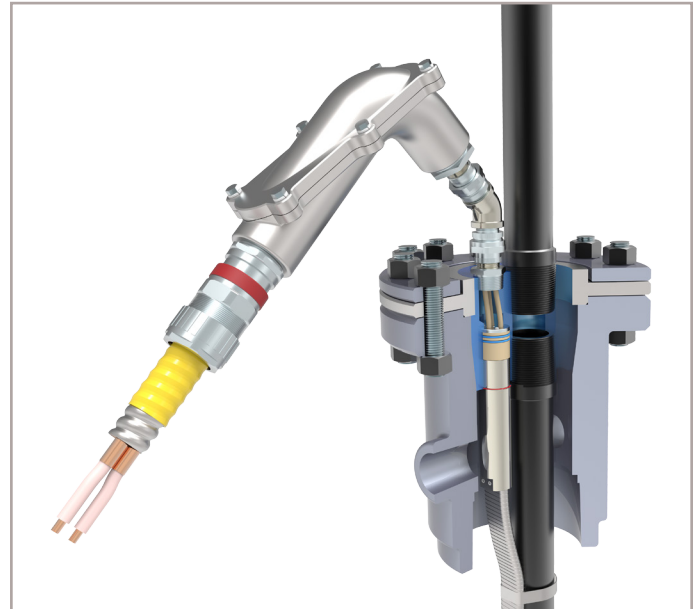
Uni-Lok™ Wellhead Penetrator System



Safe, Quick, Easy Power Penetrator

This field attachable penetrator is an easy-to-install electrical penetration which can be installed in sealing bores as small as 1¼ inches (44mm). For existing installation, the system can often use previously installed surface cable infrastructure.

Slim Profile	Will fit into any tubing hanger with space for a 1¼ inch (44 mm) seal bore.
Field Attachable	Attaches to major cable types directly. Alternative in-line splice option attached to any cable.
Well Control	Provides a complete pressure block in the wellhead, guaranteeing that well fluids and gases stay downhole: zero leakage solution.
Versatility	Designed to re-use existing surface installation or be installed onto existing surface cable.



Uni-Lok™ Penetrator and Surface Connector installed in the wellhead

Affordable, true pressure block system

The Uni-Lok Wellhead Penetrator systems is the lowest cost solution when best practices mandate the use of a penetrator system. Compared with alternative systems, the Uni-Lok includes a verified pressure sealing block inside the tubing hanger.

The Uni-Lok passed rigorous internal qualification testing at temperature, pressure, and decompression in environmental well fluids and gas, while under continuous electrical monitoring. All products are supported by BIW's Application Team

Uni-Lok Wellhead Penetrator systems are available with certification for installation in classified hazardous locations. Certified products are offered for the North America market where Class 1 Division 1 is required, or for other markets with ATEX (Exd) is required.



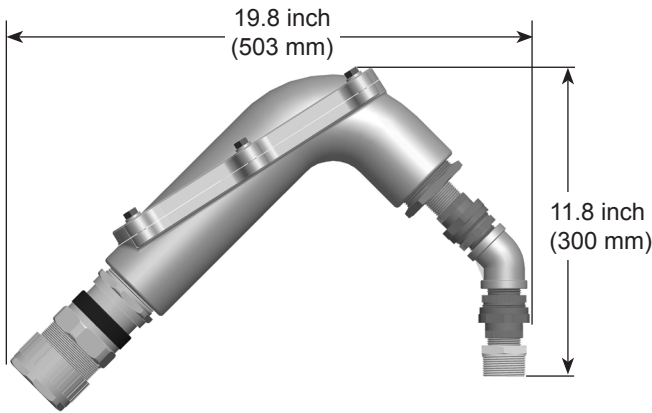
Uni-Lok™ Penetrator: prep cable, assemble, lock in place. Minimal training required for assembly

Specification

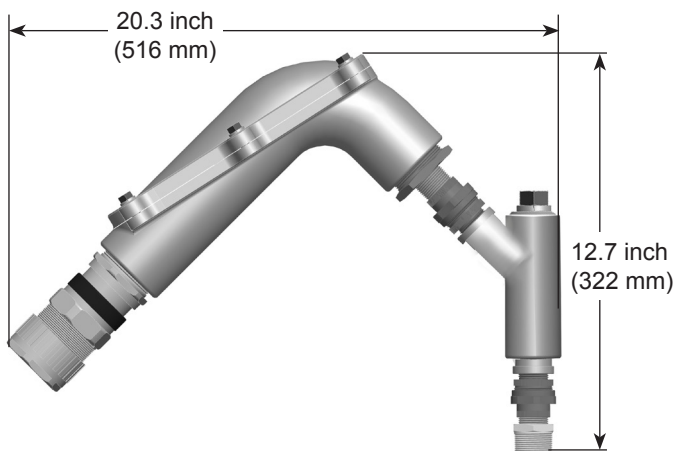
Electrical	5 kV (20-120 Hz), 140 A	
Temperature	300° F (149° C)	
Pressure	3000 psi (penetrator)	IP68 environment (surface)
Approvals	CSA certified C1D1 and ATEX (Exd) Hazardous locations	

Contact your BIW representative to find out about complimentary access to the BIW Learning Center.

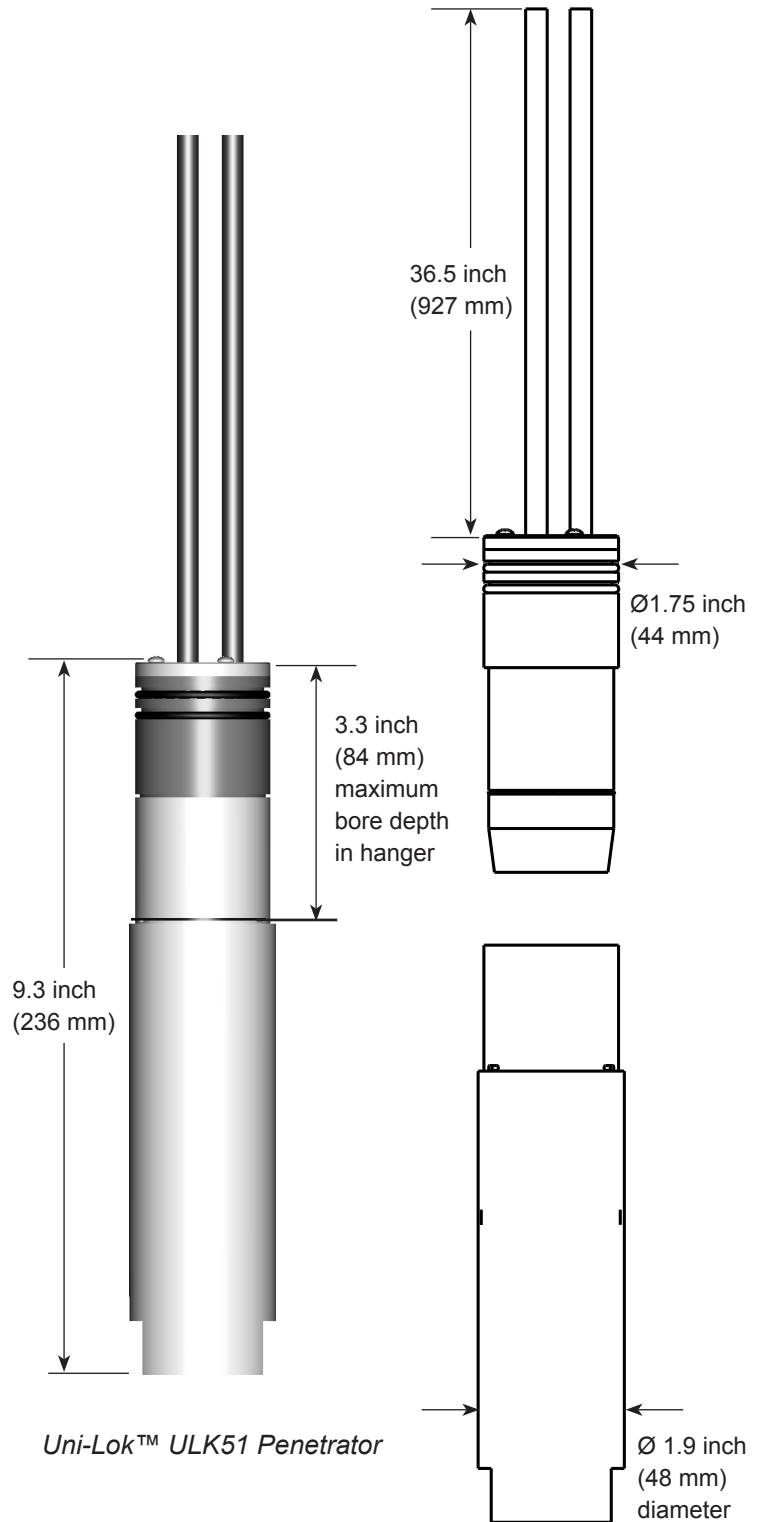
Uni-Lok™ Wellhead Penetrator System



Uni-Lok™ ULK52 Surface Connector (not certified)



Uni-Lok™ ULK52 EXP Surface Connector (certified)



Uni-Lok™ ULK51 Penetrator

Description	Part Number
Uni-Lok Pressure Block #2 Solid cable	ULK51-02
Uni-Lok Pressure Block #2, 4 kV Solid cable	ULK51-03
Uni-Lok Pressure Block #4 Solid cable	ULK51-04
Uni-Lok Surface Connector (non-certified)	ULK52XX-000
Uni-Lok Surface Connector Explosion Proof C1D1/ATEX Exd	ULK52XX-EXP

Applications: The details presented here are typical for this product. For other variations or to discuss a different application, please contact your Regional Sales Manager or BIW Applications Team. Products are available in different material combination to meet the harshest well environments .