

# Metal-Lok™ Wellhead Penetrator System



## Increase Reliability and Protection

The Metal-Lok™ product family gives users the ultimate peace of mind. This system is the most thoroughly tested product family, insuring high quality and performance. With an installed base of thousands of systems, it has repeatedly proven its reliability in field applications.

<b>High temperature compatible PEEK internal construction</b>	Suitable for use in applications with a maximum conductor temperature of 300°F (135°C).
<b>Metal-Lok™ keying</b>	Positively prevents damage that could result from inadvertent turning or mishandling of the surface connector.



*BIW Wellhead Penetrator with Metal-Lok™ keying.*

The Metal-Lok™ keying system is the most robust design available on the market for protection against rotational forces and damage. The slot and tab design engages in only one orientation, so components align correctly and will not turn in place. The positive keying system insures penetrator reliability.

This product uses an arc-resistant PEEK material, which provides additional fire safety, and enables quicker delivery. Unlike other PEEK products, the Metal-Lok™ family does not require a round to flat transition; it works for round or flat cables, without any additional assembly steps.



*BIW Metal-Lok™ Downhole Connector.*

### Connectors

Surface	HE301XXX ( 90° & 60° configurations)
Penetrator	HEM15301-000 (13.8 inch length) HEM15302-000 (20 inch length) HEM15303-000 (25.9 inch length)
Downhole	HEL01XXX-Kit

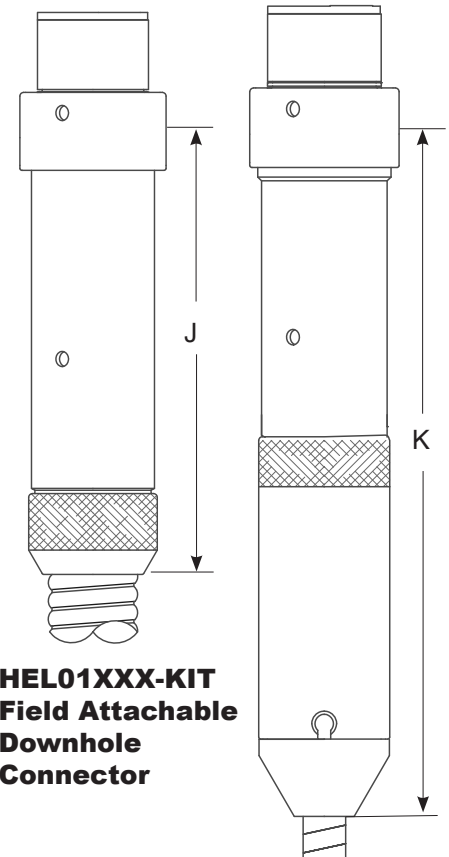
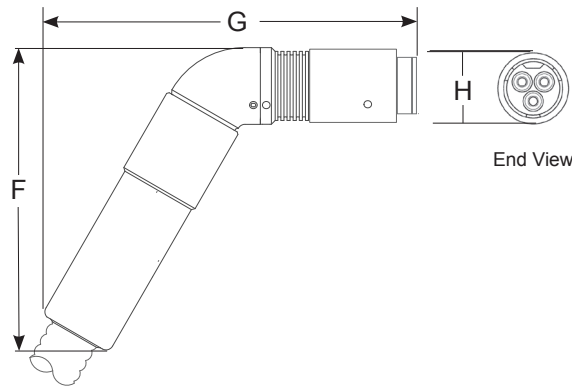
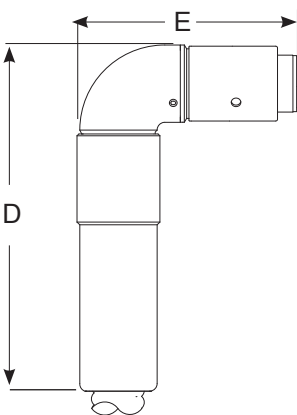
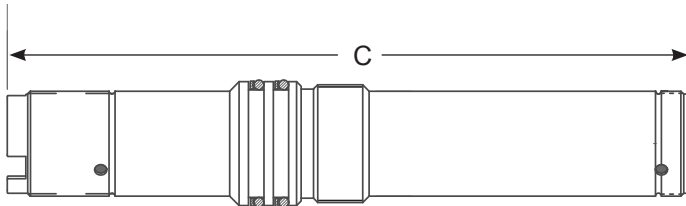
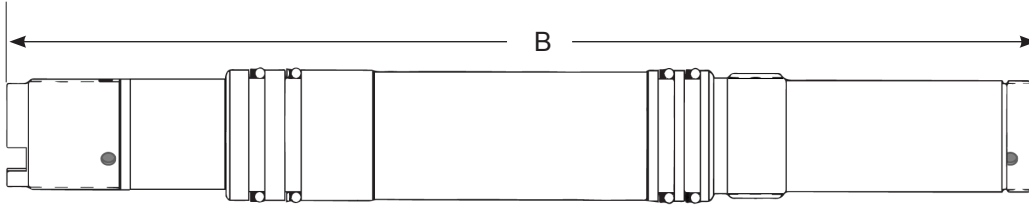
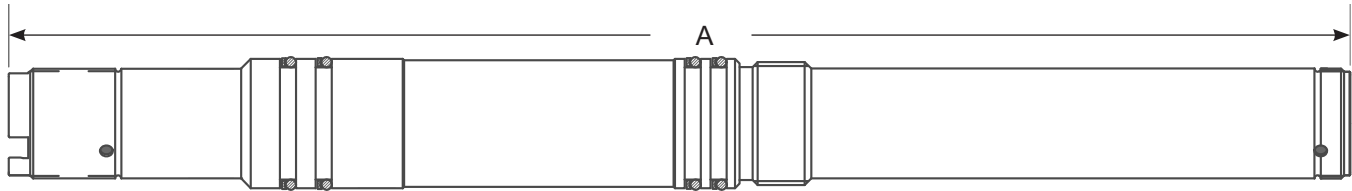
### Specification Chart

<b>Mechanical</b>	5000 psi
<b>Environmental</b>	300°F (135°C)
<b>Electrical</b>	5 kV, 20 to 120Hz 140 A
<b>Approvals</b>	CSA approved for, Class I, Div 1, Groups C and D Hazardous Location installation. IEC and ATEX Certification Exd IIB T4 Gb

# Metal-Lok™ Wellhead Penetrator System



## HEM153XX-000 Penetrator Connector



**HEL01XXX-KIT  
Field Attachable  
Downhole  
Connector**

## HE301XXX-YYY Surface Connector

Typical sizes are shown above. Other sizes and configurations are available for quotation. Please contact BIW Connector Systems.

	A	B	C	D	E	F	G	H	J	K
inch	25.9	20.0	13.8	11.2	7.1	9.8	12.2	2.4	7.2	11.1
mm	658	508	351	284	216	249	310	61	183	282