

# Metal-Lok™ Slimline FA Penetrator

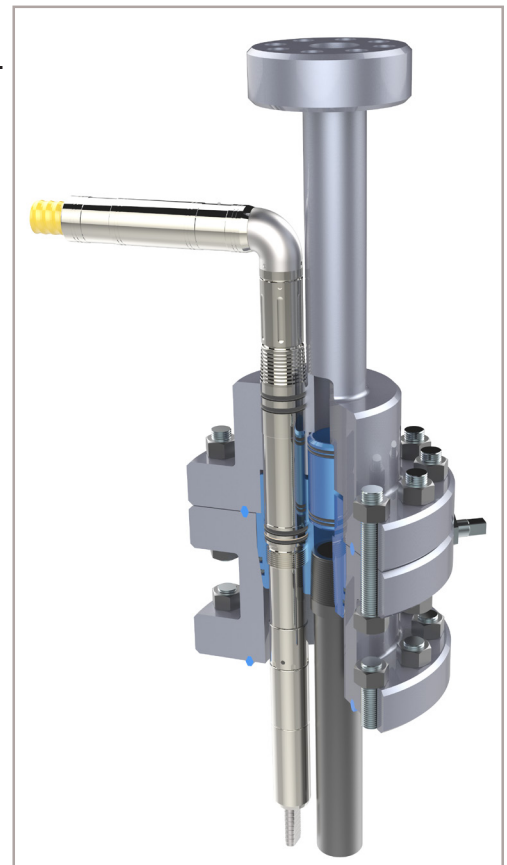


ITT

## New Longer-Life Solution for Smaller Wellhead Bores

This PEEK based, field attachable, 2¼ inch (57 mm) diameter penetrator can fit small wellhead bores with superior performance.

<b>Slim Profile</b>	Fits in tightest annular spaces and in small bore tubing hangers (2¼ inch / 57 mm diam.)
<b>Field Attachable</b>	Eliminates a downhole splice and is highly adaptable to all ESP cables.
<b>Quick and Easy Installation</b>	Connector is pre-assembled, making it the quickest installation offered by BIW. Includes new Quick-Thread technology.
<b>Metal-Lok Keying and Red Dot Alignment Mark</b>	Prevents damage that could result from inadvertent rotation or mishandling of the surface connector.
<b>H<sub>2</sub>S Resistant</b>	Designed for improved life in harsh environments (SAGD)



Metal-Lok Slimline™ Penetrator System

### Industry Leading and Highly Affordable

This advanced penetrator design relies on improved high performance insulators and sealing elements, and it is suitable for pressures up to 5,000 psi. The High Temperature version withstands 450 °F and up to 3,000 psi.

The system comes with BIW's innovative crimp-free contact that withstands a minimum of 1,000 pounds of pull force, making it stronger than most crimped contacts. The crimp-free contacts minimize the number of parts and time to complete an installation.

A new sealing design only requires one kit for each cable size, eliminating the need for cable-specific sealing elements, simplifying and reducing inventory stock.

Metal-Lok Slimline passed rigorous qualification testing at temperature, pressure and decompression in environmental well fluids and gas, while under electrical monitoring. All products are supported by an Engineering Applications Team.



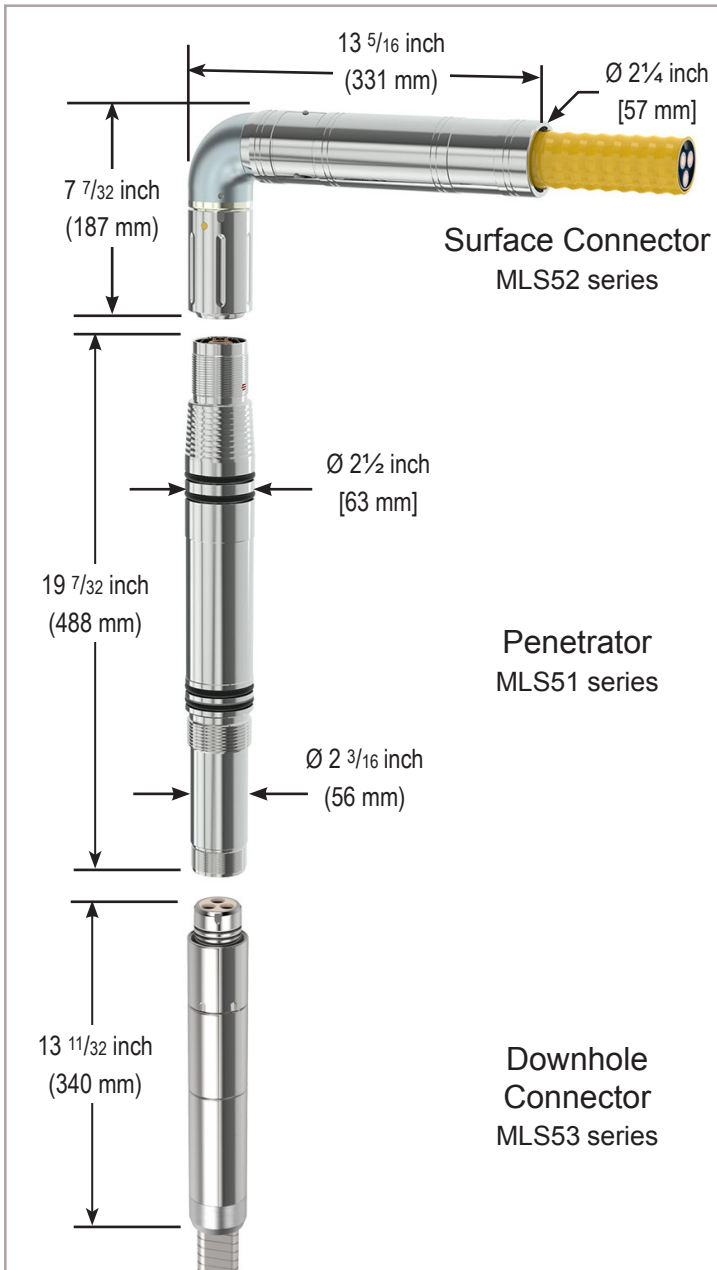
Easy to install: [1] Insert prepared cable [2] install alignment bushing [3] tighten follower nut.

### Specifications

<b>Electrical</b>	5 kV, up to 160 A	
<b>Temperature</b>	300 °F (149 °C)	
<b>Pressure</b>	5,000 psi (penetrator)	IP68 environment (surface)
<b>Approvals</b>	CSA approval for Class I, Division 1 ATEX. Hazardous location. Flame-proof Exd (application pending)	

Contact your BIW representative to find out about complimentary access to the BIW Learning Center.

# Metal-Lok™ Slimline FA Penetrator



Description	Part Number
Surface #1 MCHL Cable	MLS52001-101-007
Penetrator	MLS51233-18
Lower Connector #2 Flat Lead Cable	MLS53213-KIT
Lower Connector #4 Flat Lead Cable	MLS53413-KIT

Applications: The details presented here are typical of the product. For other variations or to discuss your particular design needs, please contact your Regional Sales Manager and our BIW Applications Team. Products are available in different combinations to withstand the harshest well conditions.